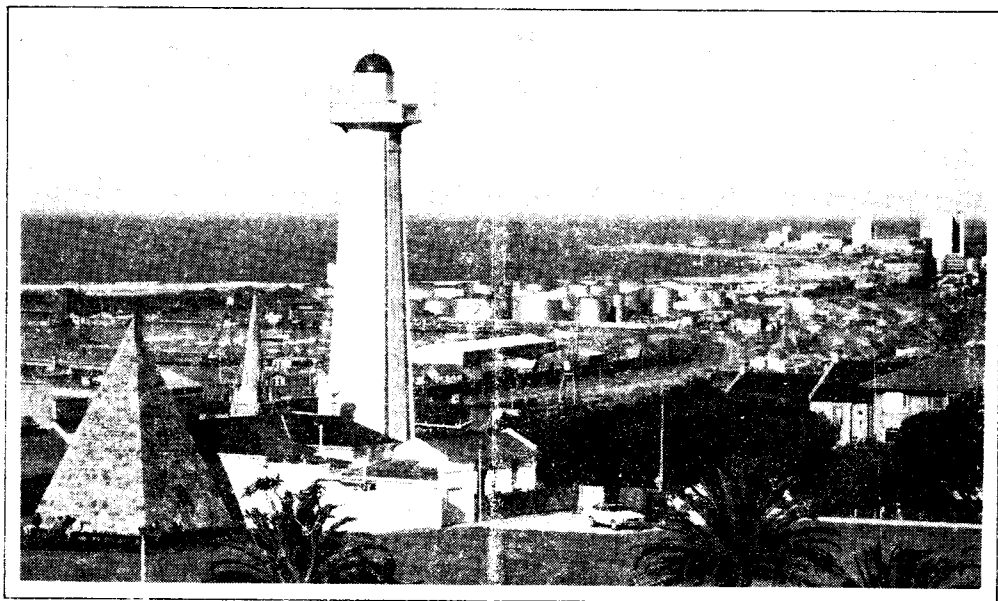




Q S X P E



**THIS NEWSLETTER IS PUBLISHED BY THE
PORT ELIZABETH BRANCH OF THE
SOUTH AFRICAN RADIO LEAGUE**

**P.O. BOX 10402
LINTON GRANGE
6015**

FAX (041) 55-9452

March 1993

NOTICE OF MEETING

The next monthly general meeting of the Port Elizabeth Branch will be held on **Friday, 19 March 1993, commencing at 8.00pm (20:00).**

The venue will be the Civil Defence Centre, Westview Drive, Mill Park, Port Elizabeth *unless advised otherwise.*

Lester Cowley, a lecturer in computer science at the University of Port Elizabeth, has kindly agreed to give a talk at the meeting. He has not specified what aspect he will choose to talk on, but you can expect a most interesting evening.

Your AGM delegate and Chairman, Colin ZS2CTR, will also report back on the deliberations at the AGM.

★ Due to the delay in the launch of Mission STS-55, there is a possibility that the SAREX linkup between the Hamstronauts aboard Columbia and scholars of the Westering High School will fall on the same evening as our general meeting.

It has been suggested that the meeting should be held at the School so that members may see the exercise. Alternatively, it may be desirable to postpone the meeting for a week.

★ Please remember that these are **thoughts only at this stage!** Listen to the Branch bulletins as the time draws nearer for any change of date or venue.

Unless otherwise stated, any article in QSX-PE may be copied for non-commercial purposes provided that acknowledgement is given to any source indicated in the credit line as well as to QSX-PE.

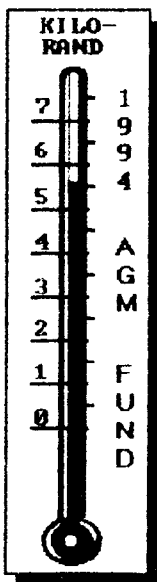
1994 AGM FUND

The AGM Fund has risen just over the R5500 mark, thanks mainly to the donation and sale of an electronic keyer by OM Barry ZS2H and cash donations from other sources.

In particular, OM Bill ZS2ABZ must be mentioned as a regular substantial contributor to the AGM Fund.

But we still need lots 'n lots, guys and gals, **so come on, everybody!**

★ ★ ★



New Digipeater Arrives

The new TNC for our Grahamstown digipeater has arrived and is doing a soak test on Colin ZS2CTR's workbench.

This unit works quite happily with the PMP and EZPacket modem and software, so our members using this inexpensive yet effective introduction to Packet will be able to speak to one another from far and wide on VHF once the TNC replaces the existing digi at Grahamstown.

Colin hopes to have some printed circuit boards for the PMP modem available again soon, so if you want to get onto packet cheap, contact him right away. A full kit will cost you R95.

Incidentally, Jim ZS2LR wrote to the developer of the EZPacket software and had an interesting reply, together with a copy of the manual. Of particular interest was the fact that other stations can digipeat through an EZPacket station just as easily as via commercial TNC's! SK

Short Waves from *the Chair*

THANKS to all (52) members and visitors who attended our February meeting despite the high discomfort factor.

★ Some finality on questions about our repeaters, some first raised in this Newsletter last November and in which suggestions were invited from members, was reached after much interesting debate, as you will see in the minutes.

The purpose of the discussion on repeaters, as stated in last month's QSX, was to give members the opportunity of expressing their viewpoint on the proposals that came out of the January Committee Meeting, so it was a little surprising to hear a member complain that "the Committee makes all the decisions" and "why do we bother to have meetings!". What more can the Committee do, I would ask?

It should be remembered that it is the duty of the Committee to act in the interests of all members and ham radio generally, rather than for one or any specific group or in the short-term only.

★ It was further said that "there is nothing going on in the Branch". To anyone who feels that enough isn't being done, can I put the ball in your court – what would you like the Committee to arrange for you to make our hobby more of a pleasure?

★ I would like to suggest that as many members in PE who would like to, should accept the invitation extended to us and get together with the Uitenhage/Despatch members periodically, exchange ideas and get to know each other better. The very active U/D boys and girls also have some very interesting constructional projects on the go and we can mutually benefit by this.

Activity breeds activity, so let's go for it!

★ The Bring and Braai to bid Bud Bye-Bye at Ben's was a tremendous success with over 40 members and family members present. On the eve of his departure to Cape Town, Bud was presented with a set of gold SARL cuff-links together with a Certificate of Merit in recognition of his services to the Branch. We wish Bud and his XYL Vaun every success with their move, and I am sure we all look forward to continued witty QSO's on HF with Bud.

Many thanks to Ben ZR2ABE and his XYL Elsa for making their lovely QTH available as the venue, and to all who attended.

★ A vote of thanks must go to Piet ZS2FP for handling the forwarding of mail for the Branch PBBS, ZS0PEL, and doing an excellent job. Baie dankie. Piet.

★ Until next time, best 73

de Colin, ZS2CTR

MINUTES OF THE GENERAL MEETING OF THE PORT ELIZABETH
BRANCH OF THE SOUTH AFRICAN RADIO LEAGUE HELD AT THE
CIVIL DEFENCE CENTRE, MILL PARK, PORT ELIZABETH ON
FRIDAY 19 FEBRUARY 1993

PRESENT: 48 members and visitors. **APOLOGIES** as per attendance register.

WELCOME: The Chairman, Colin ZS2CTR, welcomed all, especially Ron ZS1RCN, who was visiting in Port Elizabeth.

MINUTES OF PREVIOUS MEETING:

The minutes of the meeting of 22nd January 1993, as printed in QSX, were approved; proposed by Dick ZS2RS and seconded by Bill ZS2ABZ.

MATTERS ARISING:

1. SAREX. The launch has been delayed and therefore the event planned for the Westering High School will be delayed as well to 9th March 1993.
2. The request for technical articles has brought forth a very nice contribution from Phil ZS2PP. More technical articles are still needed.
3. Thanks to Ben, ZR2ABE for the use of their home for Bud and Vaun's farewell. There were over 40 members and family present. Bud, ZS2CA, was presented with a set of gold cuff links and a Certificate of Merit for services rendered to the Branch.
4. Thanks also to Barry, ZS2H for the donation of the proceeds of the sale of an electronic keyer.

FINANCE: Our Treasurer, Colin ZS2CTR reported on Branch funds:-

R1932.84 General Fund
R5417.52 AGM Fund
R1688.47 Repeater Fund
R9038.83 TOTAL FUNDS

CORRESPONDENCE:

1. Other Branch newsletters tabled.
2. Closing date for May RAE is March 5, 1993. **DON'T BE LATE!!**
3. The Chairman read some extracts from the Council Balance Sheet, ending 31 December 1993
4. Letter ex Reno ZS6OF re novice licence.
5. The proposed VHF/UHF contest rules had been given to Al ZS2U and Mike ZS2FM for their comments and Al gave a short rundown of their general feelings re the proposed rules.
6. Council persists in calling the bulletin relay on the 30m band a test transmission, notwithstanding the motion passed at the 1992 AGM. The transmission, which is often the only viable signal in this part of the country, has been subject to interruptions of late. The Chairman has taken up the matter with Headquarters.

GENERAL:

1. Thanks to:-
 - * Raphy ZS2SP for donation towards cost of Bud's farewell;
 - * Piet ZS2FP for the service provided on his packet station while the Branch BBS has been undergoing tests and improvements.

- * Garth ZS2HB for another FB QSX.
- 2. Congratulations to Viv ZS2VM and Wolf ZS2WG on becoming grandparents;
- 3. Andre, ZS2P has completed a 600mw QRP rig and can be heard working the world! Well done!
- 4. The Branch is still looking for a larger place to meet. More space is needed to accommodate all the members.
- 5. No date is available as yet for the Bathurst Show, which is envisaged for a get-together with the East London and district hams.
- 6. The date for next year's SARL AGM is still unknown.
- 7. Agreed that the painting executed and donated to The Branch by Lydia White, XYL of Chris ZS4ABS, will be raffled.

AGM MOTIONS.

Motion 1: Not favoured, but leave to delegate.

2: Suggest amendment to have year end on 30 September.

*Suggest a change in sequence, dealing with Motions 6 & 7, then 4 before Motion 3.

6: Oppose

7: Agree

4: Agree

3: If 4 lost, Agree.

5: Oppose

8: Oppose

9: Agree

10: Amend to include reference to portable while clarifying definition of "mobile".

REPEATERS: After tea, discussion centred on repeaters.

Colin ZS2CTR told the meeting that approval had been received for the Uitenhage repeater, frequencies to be used being 145,075/145,675. Further, he suggested that it be erected on Signal Hill as originally envisaged to provide the service the Branch had promised, and then to do a comprehensive survey of available sites. This motion was approved by the floor.

Several other suggestions were put to the meeting but one in particular was approved by the members, namely that a Repeater Planning Group be called into being to consider the existing facilities and the actual needs of the Branch, to investigate all viable sites and give direction as to the order of priority of those needs, and to report back to members at Branch monthly meetings. Initially this Group shall consist of the executive committee plus Trevor ZS2AE and Chris ZS2AAW. The Branch Chairman shall be Chairman of the Repeater Planning Group. The Group shall have powers of co-option as well as the power to reconstitute itself to suit conditions as they arise.

There being no further business, the meeting was closed at 10.15pm.

CHAIRMAN

SECRETARY

New OSCAR Satellite

FROM AN AMSAT HQ BULLETIN

A new OSCAR satellite, to be known as ARSENE, is expected to be launched in April 1993. At present the planned launch date is 20 April. Arsene will fly aboard an ARIANE-4 rocket launcher along with a geostationary television satellite known as ASTRA-1C.

Two stations at La Reunion Island will be activated to copy telemetry from ARSENE after it separates from the rocket booster. The data will be relayed to Toulouse, France. Those who would like to collect and analyze the telemetry can copy it on the 2-metre downlink frequency of 145,975 MHz, using a packet radio TNC. *PMP modems will work just as well!*

The final orbit of the satellite will have an apogee of 36,000 km, a perigee of 20,000 km, an orbital inclination of zero degrees and an orbital period of 17½ hours! This orbit will allow stations located between latitudes of 60° North and South to see and use Arsene for at least 50% of its period.

Uplink frequencies will be 435,050, 435,100 and 435,150 MHz, while the

downlink frequencies will be 145,975 and 2446,500 MHz.

Arsene will be a packet radio relay satellite. It will not have a bulletin board system capability. All three uplink frequencies will accept only AX.25 1200 baud FSK packet. However, when Arsene is in Mode S, one can transmit on 435,100 MHz and listen to the downlink on 2446,500 MHz. During Mode S, one can use this "analog" transposer for CW or SSB. The downlink passband on Mode S is 16 kHz wide.

On launch day, there will be a "launch-net" to help keep amateurs around the world informed on the progress, especially in the first critical orbits. Stay tuned to AMSAT nets and AMSAT News Service (ANS) bulletins for more information.

To B or not to B

In last month's QSX I used the headline "Bring 'n Braai to Bid Bud Bye-Bye" above a bit about Bud abandoning our beautiful Bay to become IB, but I was buttonholed at the braai by a bunch of the boys who believed I'd boycotted Ben, at whose abode members of the Branch had assembled with braaipacks and beverages. They said a better banner would have been "*Ben's* Bring 'n Braai to Bid Bud Bye-Bye".

Bang on! But Ben's braai is in his backyard, behind the building, so I could probably have said "*Ben's Backyard* Bring 'n Braai to Bid Bud Bye-Bye." And, since Ben is a big-hearted blighter, the banner

could even have been "*Benign (or benevolent) Ben's Backyard* Bring 'n Braai to Bid Bud Bye-Bye." But Ben is both big-hearted and big of build, so....."*BIG benign/benevolent Ben's* backyard bring 'n braai to bid Bud bye-bye."

Boy! - this has boundless possibilities, but maybe I'm boring you a bit and I'd better buzz off. As I bow out, may I observe how absolutely fabulous it was to behold such an abundant and beautiful hevy of broads and better halves at big, benign Ben's backyard bring 'n braai to bid Bud bye-bye. SK

Now! The **Zippy** Superhet Receiver!

BY PHIL HOPPER ZS2PP

[PART 1 of 2 parts]

THE ZIPPY receiver is the culmination of many weeks of experimentation with the exciting NE602 balanced mixer chip. The receiver is named after its developers — the Z from 6AZI, the I from 6BID and PP from 2PP. The Y was added just to round it off.

Presented here is my version of this delightful little receiver. From the outset, simplicity with good performance and true single-signal reception was the name of the game. The modest circuitry dictated that we do away with AGC, S meter etc. although these features can be added later if desired.

HOW IT WORKS

For the following description we will assume an **Intermediate Frequency (IF)** of 4 MHz. The exact frequency will depend upon the crystals available to the constructor, but more about that later.

Referring to Fig. 3 we see that the 7 MHz signal from the antenna first passes through a primitive but highly effective **manual RF gain control** to the **bandpass filter (L1-Tc1)** and then on to the first NE602, where it is mixed with the 3 MHz RF from the **Variable-Frequency Oscillator (VFO)**.

In a **mixer**, both the sum and difference of these two signals are formed. In our example that is 10 MHz and 4 MHz. As our Intermediate Frequency is 4 MHz we can ignore the other.

Now that we have converted the incoming signal to the IF frequency it can be amplified by our **IF amplifier (Q1)** and passed through the **crystal filter**.

Ideally this filter should have a

bandwidth of 2,4 KHz for SSB and about 500 Hz for CW reception. It is in this filter that the unwanted side-band signal is removed.

The SSB signal now passes into the **Product Detector (NE602)** where it is combined with the RF from the **Beat Frequency Oscillator (BFO)** (Fig. 5). The NE602 has a built-in oscillator facility, but experience has shown that better results are obtained from a separate, outboard unit.

A product detector is essentially just another mixer, the only difference being that the output is at audio rather than at radio frequencies (RF).

The BFO is a crystal-controlled oscillator whose frequency can be "rubbered" a few kHz by means of a trimmer capacitor. This shift in frequency allows us to adjust the output of the product detector to give natural sounding audio. In our case this is typically about 1,5 kHz above the crystal's series resonant frequency.

The audio chain is somewhat unconventional but needs little explanation.

GETTING STARTED

The ZIPPY is very easy to assemble and, if you use the suggested layouts, no unpleasant surprises should arise. I strongly advise the use of IC sockets, as this eliminates the possibility of destroying the active devices due to overheating during soldering.

THE VFO (Fig. 1)

The VFO, being the heart of any receiver, is presented first. The original circuit was lifted from some past issue of Practical Wireless and, with minor modifications, has become standard for all my projects. The RIT and TX offset make it especially attractive.

It is a straight-forward parallel tuned Colpitts oscillator. The drain voltage of the BF256 is held at 5 volts

by the 78L05 regulator, while the direct coupled buffer amplifier is fed directly from the 12 volt supply. R1 was included to control the output level to the mixer.

This VFO is capable of outputs up to 5 volts P-P (which is sufficient to drive a diode ring mixer). Polystyrene capacitors are used in all frequency sensitive areas and are marked with an asterisk on Fig. 1.

The output frequency is calculated by subtracting the IF frequency from the RF frequency. *Example:* for an IF frequency of 4,192 MHz, the high side of the VFO output is 7.1 minus 4,192 = 2,908 MHz. The low end will be 7 minus 4,192 = 2,808 MHz.

(Conclusion next month)

COIL & CAPACITOR DETAILS

VFO

- Coil L1 for 3 MHz = 60 turns #30 close wound on 5mm Slug former
- Ct 100 pF polystyrene
- TC1 Tuning capacitor about 25 pF (main tuning)
- TC2 Air spaced trimmer capacitor about 15 pF (bandspread)

RF AMPLIFIER & RECEIVER TUNED CIRCUITS

- L1 Secondary 30 turns #30 on T37-2 toroidal core;
Primary 3 turns over secondary (earthy end)
- L2 Same as L1
- L3 30 turns #30 on T37-2
- Tc1, Tc2, Tc3 64 pF trimcaps.



Instant Printing

FOR ALL YOUR
PRINTING REQUIREMENTS

9 St. Patricks Road, Port Elizabeth 6001
Telephone: (041) 55-2614

Try us for your QSL cards!



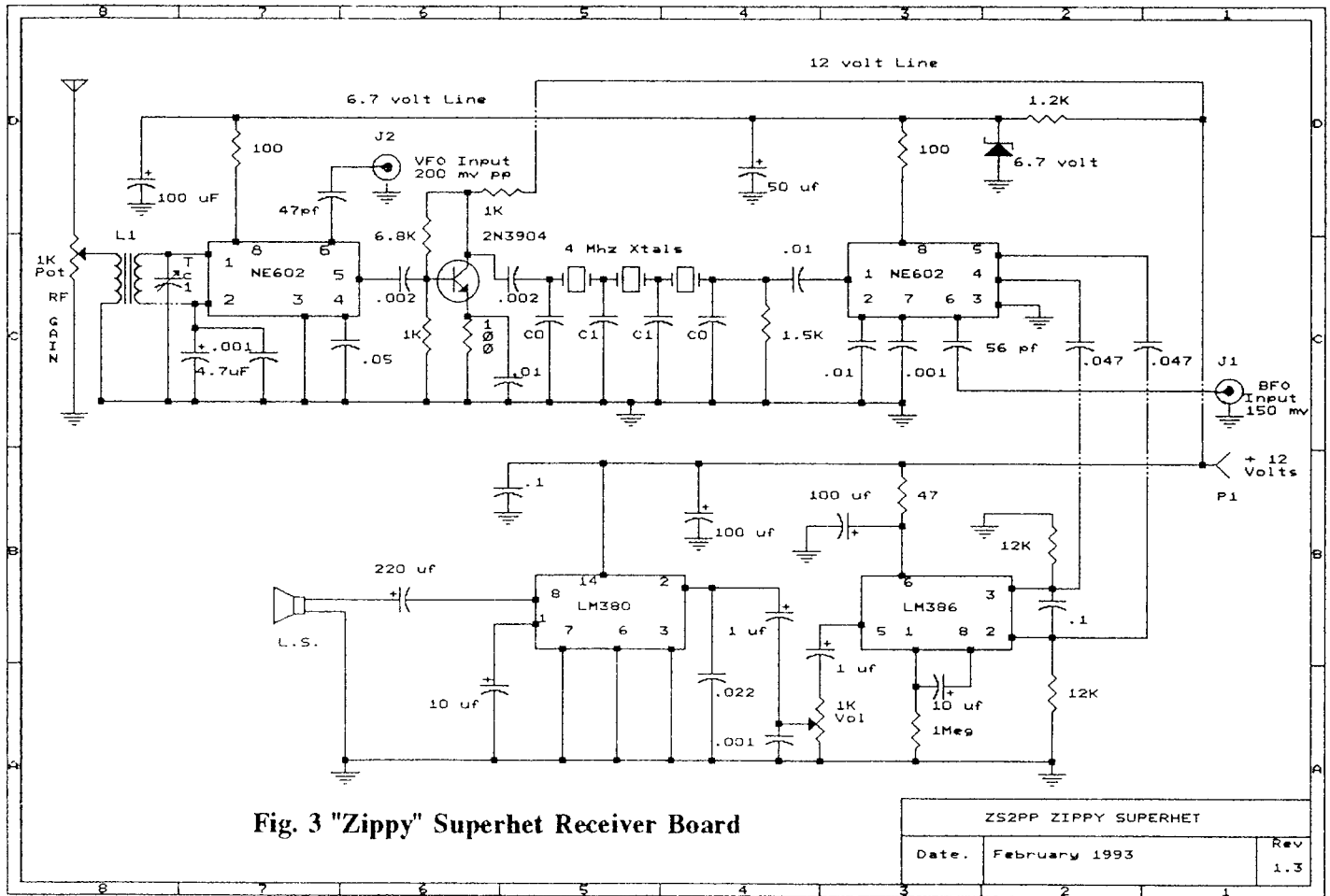


Fig. 3 "Zippy" Superhet Receiver Board

ZS2PP ZIPPY SUPERHET		
Date.	February 1993	Rev 1.3

Vice President says: "It's Not Hamspirit"

BY THE EDITOR, GARTH LAAKS ZS2HB

In last month's issue of QSX, as a service to readers I suggested which of the new (and therefore lesser-known) candidates for Council might hold ideas similar to ours. This, after all, is more meaningful to voters than candidates' mere pedigrees. Some members actually lamented the lack of relevant information. However, in a letter to our Chairman about another matter, the Vice President of the SARL wrote:

"I have just received a copy of QSX PE. I believe SK who ever he may be (or she) has just gone a little too far. I believe that his page 2 article is not in keeping with Hamspirit, at least he should have signed his full name."

The VP continued: "The item on packet radio on page 11 shows gross ignorance. Where was SK when the matter was agreed at the AGM. If you are not in the know - at least find out or keep your mouth shut."

★ Well, I thought all hams with CW experience would regard SK as the *End of Transmission* signal *SK*. I use it to indicate "end of story" when desirable. I sometimes omit the overbar for practical reasons.

Not wanting to be labelled an egoist, I refrain from emblazoning my name over every item that I write, but I always give credit to others for their contributions. Therefore, no credit line means that the item was prepared by me. The views expressed are not necessarily those of the Branch but I am confident that they are shared by the great majority of members.

★ Regarding the Page 2 article, is it bad ham spirit, in a newsletter to **only 160 voters**, to identify the candidates who seem to have the same leaning as those who the readers voted onto their Branch Committee? By contrast, the Vice President produces the League's (not just his Branch's) weekly radio programme Amateur Radio Mirror International, with a potential listenership of **3000+ voters**, and he sees nothing wrong with running back-slapping interviews with three *well-known* Councillors (including himself!) who are standing for re-election - and doing this **just as the**

run-up to the election of Councillors was beginning!

Members may recall that, first, the VP's own recent varied and splendid achievements on the amateur radio scene were lauded in an interview by his co-producer Gerald. The following week we heard a talk with OM Jan Schubart on *his* accomplishments and, finally, the VP returned Gerald's compliment by broadcasting an interview with *him* on his impressive work with Slow Scan TV. But wait - wasn't that a *rebroadcast* of an *old tape* that we already heard several months ago? No *new* achievements, and not as topical as we have come to expect from the up-to-the-hour "Mirror". What prompted a repetition so soon, and just at election time?

But perhaps it was the other statement that the VP found offensive - that *good Councillors will not let their branch allegiance interfere with their greater responsibility towards all the League's members*. Could it be that some Councillors realise that certain motions launched under the more imposing sponsorship of the League's Council should actually have been peddled by their branch under its own steam?

★ As far as the change of BBS callsigns is concerned, the VP has missed the point. I am fully aware that the DAC proposals were accepted at the AGM - but the packeteers had made it abundantly clear that *they did not want new-fangled callsigns*. I also know that the *Postmaster General did not initiate the change of callsigns, nor does he need them*.

So who foisted the unwanted, unnecessary callsigns on DAC and the members - and why? Enlighten the ignorant! *SK*

PACTOR – DAWN OF A NEW DIGITAL REVOLUTION IN HAM RADIO

BY ZS2CTR, IN PART FROM
HAM RADIO TODAY, FEB. 1993

At a time when Packet radio in South Africa is just going through a peak in activity, for two years already our counterparts in Germany have been using a new digital mode of radio communication - PACTOR, first described as "the new radioteletype mode with memory ARQ and data compression".

Pactor is one of the latest error-free methods of amateur data communication. It is primarily intended for HF use, and was originally designed by a German amateur radio group. It is a remarkable data mode: it's possible to have contacts with very little power or simple antennas without the need for a "monster signal". It is fast gaining popularity around the world and if you tune around the bands where Amtor is heard you will hear Pactor signals which have a similar "chirp" sound but longer at just over a second, almost like a short "packet".

Signals that are right down in the noise - in fact so much so that nothing is discernable through the loudspeaker but receiver noise - can be decoded. It can decode at around 30 words per minute in -10db signal to noise ratio, or in other words, 10db noise to signal ratio, even when this is received in a narrow bandwidth of five hundred Hertz.

Like Amtor, Pactor uses an "ARQ" protocol which, unlike packet, doesn't need a call sign "overhead" with each transmission, so more information can be put through in a given frame. But Pactor improves on Amtor by adding a CRC (Cyclical Redundancy Check) to provide a totally error-free link, even in heavy QRM or noise. Each Pactor data frame consists of a header, a data field, one status byte and a two-byte CRC. It adapts to band conditions, automatically switching between baud rates of 200 bauds (with frames of 20 data bytes) or 100 bauds (with frames of 8 data bytes) as QRM allows. A good signal

level, and 200 baud results; if conditions drop, the rate automatically slows down to compensate. Greater data throughput is also achieved by using Huffman data compression, again automatically as conditions allow. So on a clear channel, the data literally "whizzes" through, much faster than many other data modes.

The Pactor controller works in a similar manner to a VHF packet TNC. As such, a simple "dumb" terminal is all that is needed as an operator interface. An internal mailbox also allows messages to be stored either by you for other amateurs to read, or for others to leave you messages during times when you're otherwise engaged. Messages are stored in a battery-backed RAM with the capacity of the mailbox being 21006 bytes, with a maximum of 31 files permitted, which should be plenty for most needs.

If you're into packet or computers this new mode must be whetting your appetite! Commercial Pactor Controllers are now coming onto the market in a multi-mode format for the same price as current multi-mode units, around R1500, and Kantronics have an upgrade kit available for their KAM unit. (This means that the Branch could upgrade eventually as well!). No doubt the other major TNC manufacturers will follow suit shortly.

What's next in the digital revolution? No doubt digital, error-correcting speech over radio isn't far away. I guess I run the risk of getting my ears bent if I ask: Does CW stand a chance!

SK

Hamnet News

AL AKERS, ZS2U

With Bud ZS2CA leaving, there is a vacancy on the Hamnet East Cape Committee. The new committee will now be:

Regional Director	Al Akers ZS2U
Secretary	Stoffel Carr ZS2C
Members	Ken Victor ZS20C Jack Moolman ZS2KU Clive Fife ZS2RT

VW Algoa Rally

Al Akers ZS2U

This event takes place Friday and Saturday, 23rd and 24th July. It serves as a good emergency exercise for Hamnet purposes and I have noted with satisfaction that in the past, the percentage of Hamnet members who help with comms. has been somewhat higher than that of non Hamnet members. Nice work.

It may seem early in the day to prepare for this event, but it is as well to make sure now that you are properly organised for the rally and that your equipment is functioning well. I constructed a portable antenna for the 1991 rally that proved to be so useful that I persuaded several others to do the same for last year's rally. I am sure that they also found this to be the case.

Maybe there are more who would like to construct such an antenna, which is not only useful for rally operations but for general portable use. These antennas can be made to fit snugly in a corner of the boot of your car. Last year I found it rather difficult to organise rally comms. and help with portable antennas when it was near rally time so, if you would like some assistance from me with these antennas, please contact me as soon as possible.

Construction Hint:

When drilling holes in a PC board to fit a DIL IC, use a piece of Veroboard as a template. The holes are just the right distance apart.

SK

Bill Doesn't Make It... but Supported Well by Members

Unfortunately, Bill Browne ZS2BY, our candidate in the election for Councilors, received 16 votes too few to get onto Council. About 50% of PE Branch members - *and numerically more than any other branch* - returned votes, which is an outstanding figure. Thank you all for your interest and, no doubt, support for Bill.

There were 41 spoiled papers country-wide, which is a pity because they might just have contained the votes Bill needed.

Our thanks to Bill for standing in this important election. I'm sure he will succeed next time if he is prepared to stand again.

Miscellaneous Bits & Pieces

★ Due to late cancellation of an order by a radio amateur (name not supplied, but not from the PE district, we are assured) East Cape Electronics is sitting with a power supply and the UI7 AM/FM module for an Icom IC728 transceiver. If you are interested, please contact the company direct (lower Albany Road, tel. 57-1538)

★ I never know whether to laugh or cry when I receive a letter from Gerald Taylor ZS2AAX of Grahamstown. This month I was able to do both - I received *two* letters from him. One thing about the lad, he has good taste - he likes QSX but [To page 14→

doesn't know why PE is tagged onto the name. *Gerald!!* QSX PE means "I am listening to Port Elizabeth". All good hams listen to PE. Gerald found and decoded lots of unusual 'words' in our hidden-words competition: DOAR - cross between a wild boar and a dog; SOEGA - voetsak in a local dialect; YIGBAUT - a giga baud (I thought it was an itchy posterior - Ed); and many others. Thanks, Gerald! We hope you'll make it to a meeting some time. But give me good warning, please.

★ Dudley ZR2RD, with assistance from Gerhard ZS2UM, recently played a key role in the arrest of an alleged housebreaker. Travelling along a country road, Dudley came across the victim trying unsuccessfully to arrest the thief at the roadside. The latter fled and, in spite of being struck by a few bullets, ran on into the bushes. Ham Radio to the rescue! The Police were contacted and in no time at all they arrived and found the scoundrel. I didn't see any acknowledgements to Ham Radio in the Press, but thanks, Dudley and Gerhard, for a job well done!

★ David Butcher ZR2DCB wishes to apologise to the UD Bunch for any interference to their favourite frequency caused by the comms. that he organised under special licence for the Westering High School outdoor events recently. When arranging the frequency he was not aware that the UD bods have adopted it for local ragchews.

★ It was good to hear the League's new CAM (Compatible Amplitude Modulated) transmitter on 30m recently. A couple of days after Chairman Colin asked HQ to expedite the provision of a regular, stable 30m transmission in accordance with a motion passed at the 1992 AGM, there it was! Nice quality in both AM and USB mode, and, as usual, the 30m band outstrips 40 and 20 by far. In fact, most Sun-

days we cannot even hear a rustle on 20m, while 40m drops below a 'commercial' level early on.

★ Andries van Wyk, recently upgraded to ZS2P, has been doing wonders with his little homebrew QRP rig. Veelsgeluk, Andries!

★ Keep an ear open on bulletins for an announcement about a flea market, at which a large quantity of VHF equipment will be disposed of to swell Branch funds. Vic, ZS2SZ, was able to grab the stuff on our behalf. Thanks, Vic.

★ Congratulations to the Johannesburg Branch on the plaque that they received recently from their City Council in recognition of the valued services that hams have rendered to their community.

★ Keith Laaks, ZS6TW, has donated his excellent VGA/SVGA Weather Fax program to the Branch, which will now retain the full registration fee for its funds. As you will recall, this program was custom-made to specifications of Branch members and the new version 1.5 has further desirable features. A copy can be obtained from the Branch or any existing user but it will only give you the basic features initially. Once you are impressed by the quality of your pictures, you register the program with the Branch with a donation of R30 and the many other facilities will then be 'enabled'. Thank you, Keith. SK

BULLETIN ROSTER

		TRANSMIT BULLETIN	RELAY/ NET
Mar	21	ZR2PF	ZS2U
	28	ZR2AAX	ZR2RD
Apr	4	ZS2DL	ZS2WG
	11	ZS2CTR	ZR2PF
	18	ZS2HB	ZR2AAX
	25	ZS2EQ	ZS2DL

★ ★ PERSONAL NEWS ★ ★

Condolences: We were very sorry to learn of the passing of OM Peter Tomlinson, ZS20F on 21 February after a short illness. Peter was always popular in Ham circles and served his Branch in various ways over a period of many years. He will be sorely missed. To his XYL Pegs and family we express our deepest sympathy.

Congratulations ... to members and their spouses celebrating soon:

Birthdays – March: Andrew Gray ZS2G (21st); Shirley Furlong (ZS1GPF) (31st). **April:** Ria Laaks (ZS2HB) and Theuns Potgieter ZR2BG (3rd); Iona Gertenbach (ZS2CV) (4th); Heather Hoole (ZS2ABM) and Mike Jones ZS2MJ (5th); Piet Blom ZS2PB (9th); Ron Harvey ZS2RU (11th); Graham Butcher ZR2GIB (13th); Hans Rohwer ZR2AX and Schaik van der Merwe ZS2Y (16th); Allan Ansell ZS2AJ (17th).

Anniversaries – March: Maureen and Neil Fulton ZS2MG (21st); Sorette and Philip Mac Geoghegan ZS2-279 (23rd); Yvonne and Fred Bonthuys ZSweQ (31st). **April:** Cathy and Wolf Gerstle ZS2WG (6th); Rietjie and Sel Staples ZS6SS (10th); Claire and Jack Smailes ZS2SM (15th).

... to **New Call Sign Holder** Andries van Wyk, ex ZR2AVW, now ZS2P.

... to **promising CW expert** Charl Marais, who passed his CW test with flying colours at 6 wpm and is now awaiting his ZU call.

Welcome to New Members Gary Anderson ZR2AGR, Simone Pukall ZS2YL, Johannes Jooritsma, Karl Stone and Isaac Greeff. We are glad to have you all with us.

Sick Parade: Sorry to hear that Ron Harvey ZS2RU has been in the Greenacres Hospital after suffering a stroke recently. He is making a good recovery. Jimmy Hoole ZS2ABM fell off a ladder and had to have 24 stitches. Get well soon, chaps.

Phancy Definitions Phrom Ph11:

Pi Section	: Light Lunch
Load Resistor	: Teetotaller
Artificial Intelligence	: QSX Editor holding slide rule (That's NOT phunny! – Ed)
P Junction	: Crossroads with comfort station

PORT ELIZABETH BRANCH COMMITTEE

CHAIRMAN, TREASURER, REPEATERS	Colin Robertson	ZS2CTR	30-0570
VICE CHAIRMAN, EDITOR QSX-PE	Garth Laake	ZS2HB	38-1101
SECRETARY	Fred Bonthuys	ZS2EQ	63-3804
HAMNET, SPECIAL EVENTS, CLUB STATION, RALLIES	Al Akers	ZS2U	30-2983
SPECIAL EVENTS/RALLIES WG	Peter Flynn	ZR2PF	42-4008
PROJECTS, DIGITAL SERVICES, REPEATER WG	Wolf Gerstle	ZS2WG	30-1510
CONTESTS, AWARDS	Donovan van Loggerenberg	ZS2DL	992-2374
TRAINING LIAISON	Keith Olivier	ZR2AAX	30-2440
SOCIAL, GUEST SPEAKERS, QSX WG	Dudley Radue	ZR2RD	33-2255

EXTRA-COMMITTEE APPOINTMENTS

SA AMSAT LIAISON	Lionel Coombe-Davis	ZS2DD	32-1770
DIGITAL/REPEATER WG CONVENOR	Trevor Scarr	ZS2AE	32-1746
LIBRARY, DF, IPHA	Vic Olivier	ZS2SZ	30-2440
QSX COMMITTEE, TRAINING WG	Viv Moore	ZS2VM	30-4433
YAS LIAISON	Mike Bentley	ZR2MBM	30-1498

SUNDAY BULLETINS

Bulletins are transmitted on Sundays at about 08:45 (after the Headquarters bulletin) on -

- 7,098 MHz and $\pm 10,123$ MHz (40 & 30 metres) on SSB
- 14,130 MHz (20 metres SSB) when conditions require
- 145,700 MHz and 145,750 MHz repeaters (2 metre band)
- 51,400 MHz (linked with 2nd Lady's Slipper)

BRANCH VHF & HF SERVICES

Repeaters:

Town (PE Central)	145,050/650	Kareedouw	145,125/725
Town UHF	431,050/438,650	Lady's Slipper	145,100/700
Cockscomb	145,000/600	Uitenhage	145,075/675
Grahamstown	145,150/750	University	145,175/775

Other Services:

2 metre beacon (ZS2PE CW ID)	144,910 MHz
Packet Bulletin Board	144,675 & 14,109 MHz
Digipeater (Grahamstown)	144,675 MHz
6 metre link with Lady's Slipper	51,400 MHz simplex
6 metre beacon (ZS2SIX CW ID)	50,005 MHz

BRANCH MEETINGS

20:00 (8.00 pm) on the third Friday of the month in the Civil Defence Centre, Westview Drive, Mill Park.

★ ★ We like being your branch ★ ★